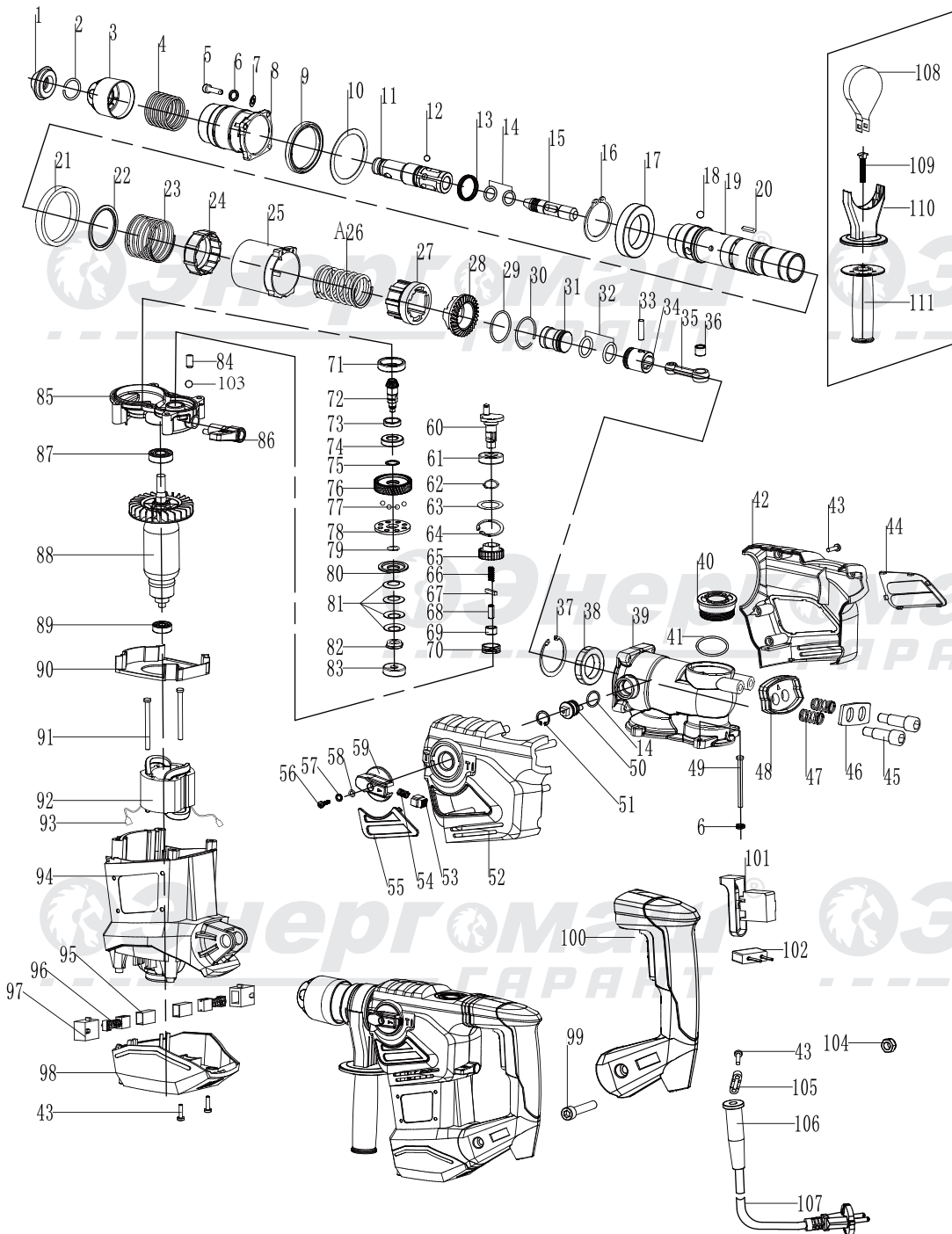


ПР1-1850



NO.	DESCRIPTION	NO.	DESCRIPTION
1	RUBBER HEAD	57	SPRING WASHER 4
2	STEEL RING 16.5X2	58	PLAIN WASHER 4
3	STEEL FRAME	59	TWO FUNCTION KNOB
4	SPRING 30.2*1.8*76	60	CRANK
5	SCREW M5X22	61	BEARING 6003
6	SPRING WASHER	62	CIRCLIP 17
7	PLAIN WASHER	63	WASHER38*47*1.5
8	CYLINDER HOUSE	64	CIRCLIP 35
9	OIL SEAL 35*51*6	65	THE FIRST GEAR
10	BIG WASHER 45*54.5*1	66	SPRING
11	TELEFLEX	67	FLAT KEY 5*5*22
12	STEEL BALL Ø7.14	68	PIN Ø7*19
13	X-RING 20.9*2.2*4	69	BUSH 16*12*10
14	O-RING 11X2	70	STEEL SLEEVE 22*26*9
15	IMPACT HAMMER	71	SEAL RING 19*28*4.5
16	CIRCLIP 35	72	CONE GEAR SHAFT
17	BEARING 6907	73	WASHER15*19*4.7
18	STEEL BALL Ø7.94	74	BEARING6002
19	CYLINDER	75	WASHER 14.1*19*0.5
20	KEY 3*3*18	76	BIG GEAR
21	PLASTIC RING 47*55*7	77	STEEL BALL Ø5
22	WASHER 38*47*1.5	78	FIXED PLATE
23	SPRING 42*2*28	79	STEEL RING 12.5X1
24	PLASTIC SLEEVE	80	ACTIVE PLATE
25	CHISEL LOCK DISTANCE SLEEVE	81	DISC SPRING
26	SPRING 34*2.5*50	82	LOCK NUT M10*0.75
27	CLUTCH	83	BEARING 627Z
28	BIG CONE GEAR	84	RUBBER COLUMN
29	O-RING28*1.8	85	MIDDLE COVER
30	STEEL RING 28*1.6	86	TWISTING FOR HAMMER
31	RAMMER 25X30	87	BEARING 6001
32	O-RING 19*3.1	88	ROTOR
33	PISTON PIN 6*23	89	BEARING 608
34	PISTON 25*27	90	FAN GUIDE
35	CONNECTION ROD	91	TAPPING SCREW ST4.8X65
36	STEEL SLEEVE 12*10*8	92	STATOR
37	CIRCLIP 47	93	INSERT PIECE
38	BUSH 30*47*9	94	HOUSING
39	GEAR BOX	95	COPPER BRUSH HOLDER
40	OIL COVER	96	CARBON BRUSH
41	O-RING 31.5*2	97	BRUSH HOLDER
42	RIGHT GEAR COVER	98	REAR COVER
43	TAPPING SCREW ST3.9*16	99	SCREW M8*40
44	RIGHT SIDE COVER	100	HANDLE
45	ANTI-VIBRATION SCREW M8X35	101	SWITCH
46	ANTI-VIBRATION BOARD	102	CAPACITOR
47	ANTI-VIBRATION SPRIG	103	STEEL BALL
48	ANTI-VIBRATION HOLDER	104	NUT M8
49	TAPPING SCREW ST4.8*45	105	CABLE CLAMP
50	DIAL TWIST	106	CABLE SLEEVE
51	CIRCLIP 18	107	CABLE
52	LEFT GEAR BOX COVER	108	HOOP
53	BUTTON PIN	109	T-BOLE M8X50
54	SPRING 0.6*4.5*17.5	110	BRACKET
55	LEFT SIDE COVER	111	AUXILIARY HANDLE
56	SCREW M4X14		